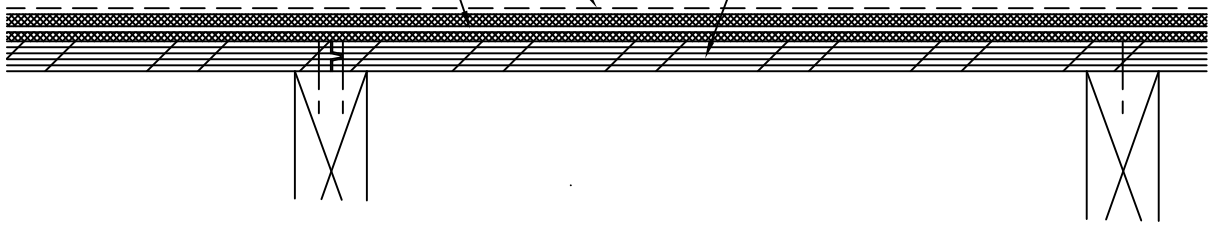


(A)

HYDROFLEX 10 OR OTHER APPROVED PROTECTION

MONOLITHIC MEMBRANE 6125-FR

1/2" MIN. THICKNESS TONGUE & GROOVE PLYWOOD OR 3/4" MIN. THICKNESS TONGUE & GROOVE WOOD PLANK DECKING



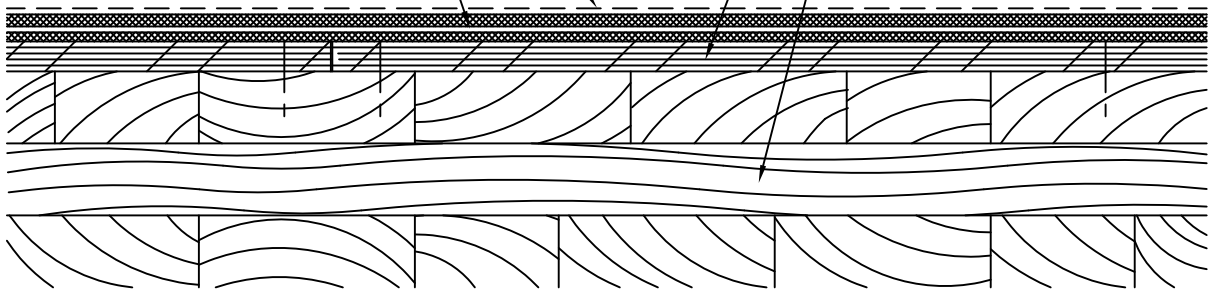
(B)

HYDROFLEX 10 OR OTHER APPROVED PROTECTION

MONOLITHIC MEMBRANE 6125-FR

1/2" MIN. THICKNESS PLYWOOD

CLT STRUCTURAL ROOF PANEL



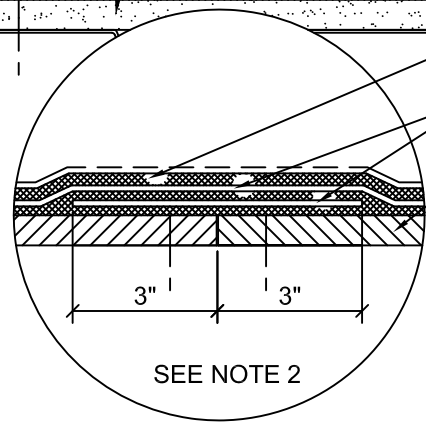
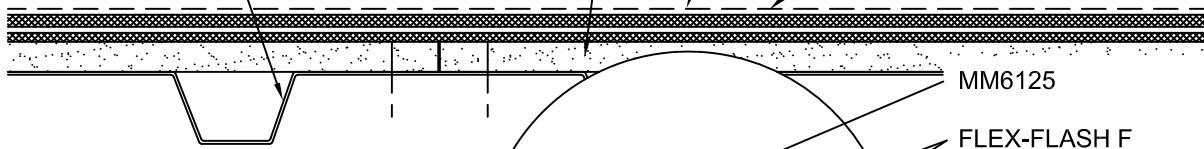
(C)

5/8" MIN. THICKNESS, FIRE RATED, TYPE "X" GYPSUM BOARD (i.e., SECUROCK)

MIN. 22 GAUGE STRUCTURAL METAL DECK

HYDROFLEX 10 OR OTHER APPROVED PROTECTION

MONOLITHIC MEMBRANE 6125-FR



MM6125

FLEX-FLASH F

PLYWOOD OR GYPSUM BOARD SUBSTRATE

SEE NOTE 2

NOTES:

1. ADEQUATE STRUCTURAL SUPPORTS AND THE NUMBER AND TYPE OF FASTENERS REQUIRED TO COMPLY WITH APPLICABLE CODES, SHOULD BE DETERMINED AND VERIFIED BY PROJECT ARCHITECT/ENGINEER.
2. ADDITIONAL REINFORCING (MM6125 W/6" WIDE FLEX-FLASH F) IS REQUIRED OVER SUBSTRATE BOARD JOINTS FOR EXTENDED (10+ YEARS) WARRANTIES.



Monolithic Membrane
6125-FR
 ROOFING SYSTEMS

AMERICAN HYDROTECH, INC.

ALTERNATE SUBSTRATE APPLICATIONS

SCALE: NONE
DATE: 10/15/19

R-5A